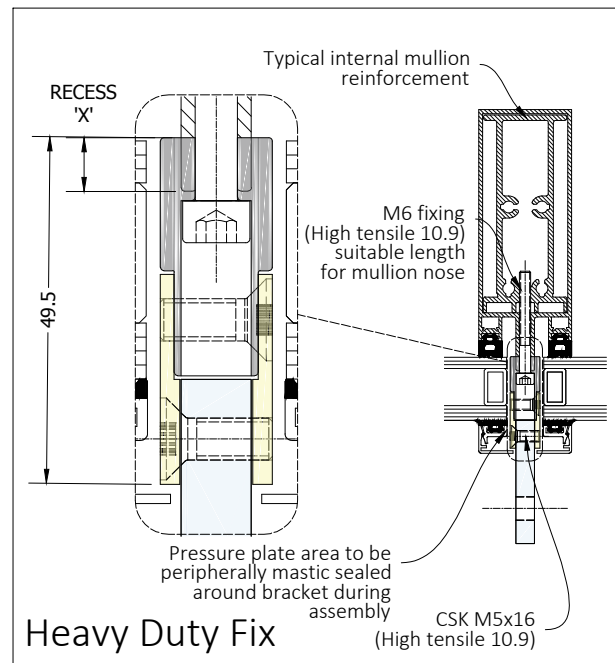
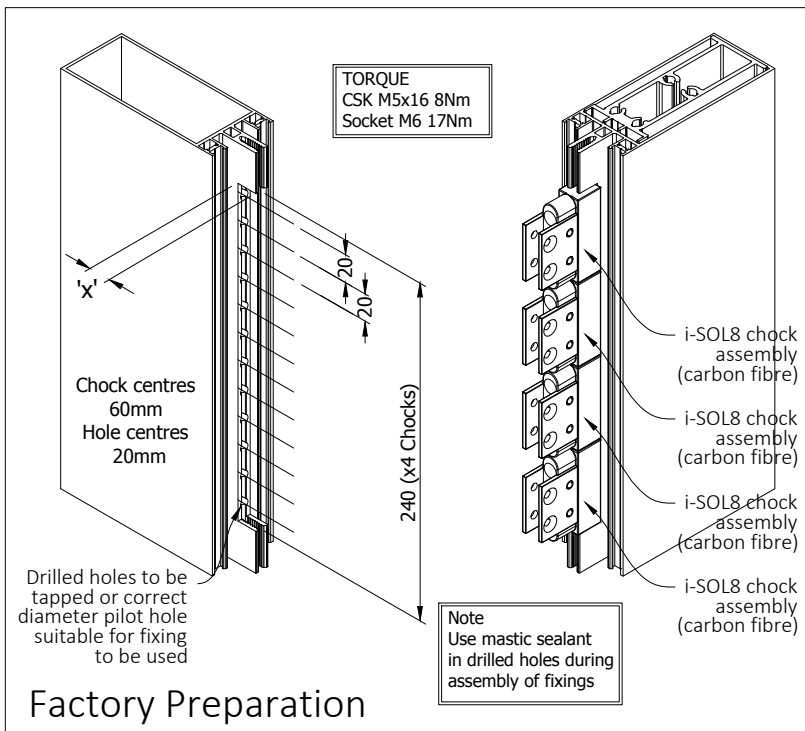
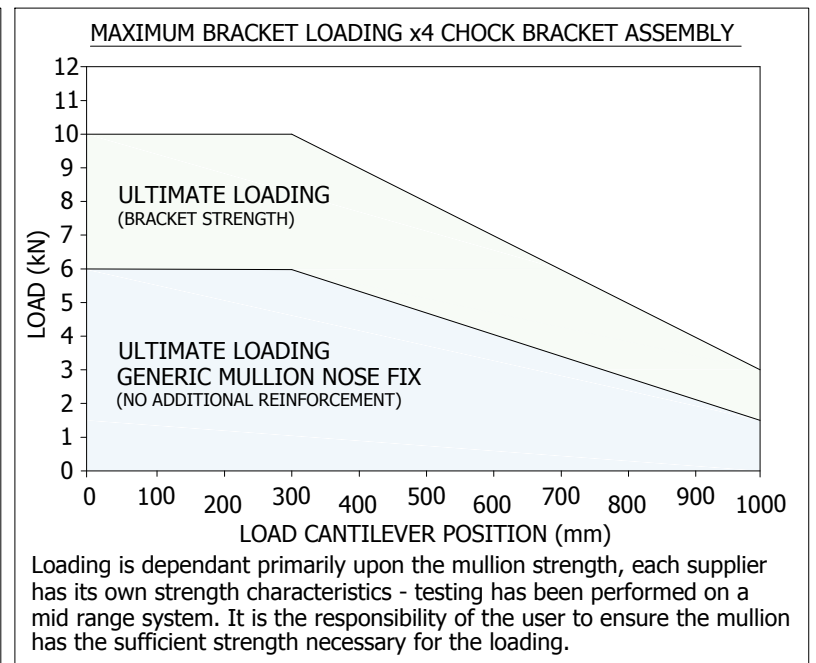


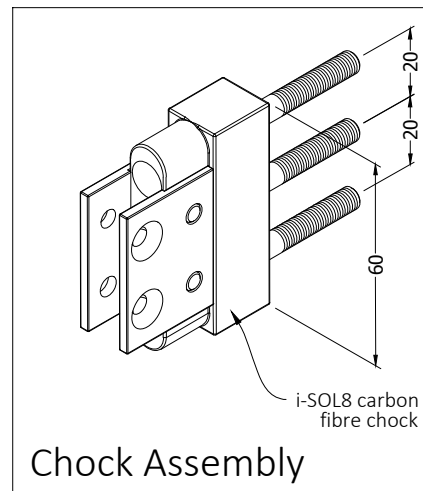
Light Duty Fix



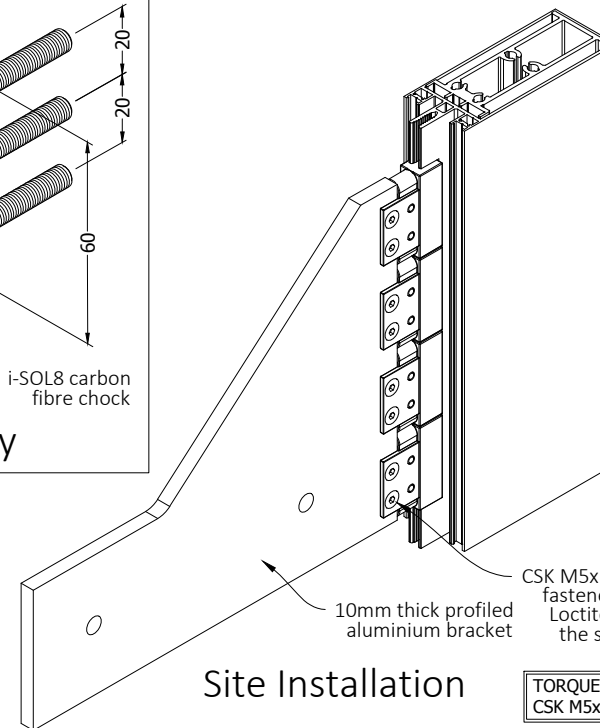
Heavy Duty Fix



Factory Preparation



Chock Assembly



Site Installation

Specification

i-SOL8 Thermally Broken curtain wall bracket manufactured from carbon fibre support chocks.

To guarantee zero interstitial condensation risk.

To attain a minimum ultimate loading of 3kNm combined with a Chi heat loss value of no more than 0.07 W/K.

i-SOL8

Date Oct17	Issue 1	Blue Sky Concept Design Ltd
---------------	------------	--------------------------------

Title
**i-SOL8 Data Sheet
Typical Fix**

Data Sheet Reference Number
010